

TECHNICAL DATA SHEET



KRASO® Plastic Flange Plate Type KFP

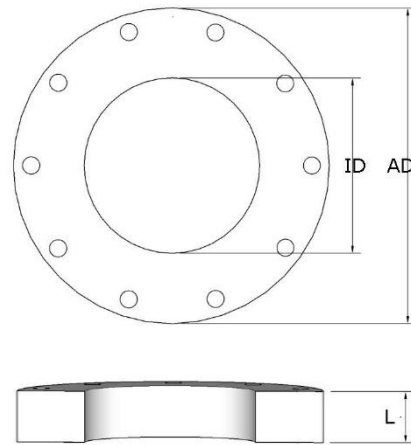
Application area

for installation of pipes or cables using a KRASO® Sealing Insert (not included in the scope of supply), no core drilling required, simple opening or recess in the wall is enough, against pressing water up to 3,0 bar, plate made of 60 mm strong, high-strength special plastic, EPDM flat seal, ID = InternalDiameter | **Waterproof concrete guideline: Stress class 1 + 2, with foil flange DIN 18533 W1 -E and W2.1 -E**

Product image



Technical drawing



•ID | Internal diameter (mm) •AD | External diameter (mm) •Media line | max. external diameter pipe or cable from ... to ... in mm
 •L | Thickness plastic plate (mm) •Weight | in kg

Material

Flange plate	Plastic (PP)
Seal	EPDM flat seal 5mm 50 +/- 5 shore
Fixing material	Bolts, washers, nuts M12, galvanised

Technical details

- Waterproof concrete guideline: Stress class 1 + 2, with foil flange DIN 18533 W1 -E and W2.1 -E

Test Certificates [In our download area](#)

Type / Item	KRASO® Type KFP						
ID	80	100	125	150	200	250	300
AD	240	260	285	310	360	410	460
L	60	60	60	60	60	60	60
Media line	0-55	0-75	0-100	0-125	0-175	0-225	0-275
Weight	4,5	6,9	8,2	9,1	10,5	13,3	16,1
Item No.	KKFP0801	KKFP1001	KKFP1251	KKFP1501	KKFP2001	KKFP2501	KKFP3001

•ID | Internal diameter (mm) •AD | External diameter (mm) •Media line | max. external diameter pipe or cable from ... to ... in mm
 •L | Thickness plastic plate (mm) •Weight | in kg

TECHNICAL DATA SHEET

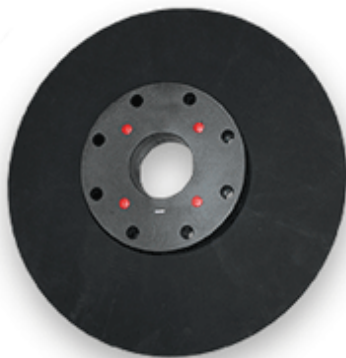


KRASO® Plastic Flange Plate Type KFP

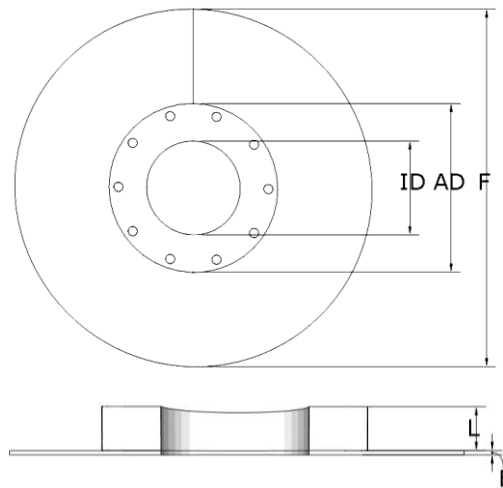
Application area

for installation of pipes or cables using a **KRASO®** Sealing Insert (not included in the scope of supply), no core drilling required, simple opening or recess in the wall is enough, against pressing water up to 3,0 bar, plate made of 60 mm strong, high-strength special plastic, EPDM flat seal, ID = InternalDiameter | **Waterproof concrete guideline: Stress class 1 + 2, with foil flange DIN 18533 W1 -E and W2.1 -E**

Product image



Technical drawing



•ID | Internal diameter (mm) •AD | External diameter (mm) •Media line | max. external diameter pipe or cable from ... to ... in mm
 •F | External diameter foil flange •L | Thickness plastic plate (mm) •E | Thickness EPM (mm) •Media line | max. (mm) •Weight | in kg

Material

Flange plate	Plastic (PP)
Seal	EPDM flat seal 5mm 50 +/- 5 shore
Foil flange	EPDM 1,3mm
Fixing material	Bolts, washers, nuts M12, galvanised

Technical Details

- Waterproof concrete guideline: Stress class 1 + 2, with foil flange DIN 18533 W1 -E and W2.1 -E.

Test Certificates [In our download area](#)

Type / Item	KRASO® Type KFP - Foil Flange						
ID	80	100	125	150	200	250	300
AD	240	260	285	310	360	410	460
F	540	560	585	610	660	710	760
L	60	60	60	60	60	60	60
E	1,3	1,3	1,3	1,3	1,3	1,3	1,3
Media line	0-55	0-75	0-100	0-125	0-175	0-225	0-275
Weight	5	7,8	8,8	9,9	12,2	14,5	17,8
Item No.	KKFP0801F	KKFP1001F	KKFP1251F	KKFP1501F	KKFP2001F	KKFP2501F	KKFP3001F

•ID | Internal diameter (mm) •AD | External diameter (mm) •Media line | max. external diameter pipe or cable from ... to ... in mm
 •F | External diameter foil flange •L | Thickness plastic plate (mm) •E | Thickness EPM (mm) •Media line | max. (mm) •Weight | in kg